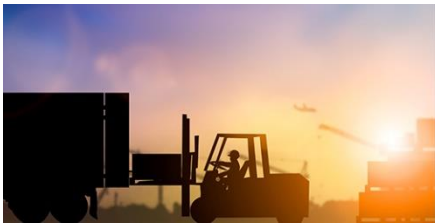


Version: 3.0
Date: 2019-10-15
Created by: Steven Jiang



Packing Instruction

Volvo One-way Footprint V8X – Export
1140x790mm and 1140 x 980mm



Adding value beyond the box



www.boxon.com



Boxon Group

Boxon is the only business partner offering intelligent packaging concepts with full traceability fully integrated with the business needs. We analyse the outside world, inspire new ideas and quickly design innovative solutions that continuously secure the packaging flow, from order to delivery. Our focus is primary companies within the industry-, trade- and logistic segments seeking a long-term partner.

With intelligent packaging concepts for your products, we help to increase the value of your brand, decrease environmental impact and help you to strengthen your customer relations. Deliveries becomes traceable with intelligent system solutions for labels and marking. To improve your productivity, efficiency and profitability, we offer automatized solutions that can be integrated directly into your business process.

Our Services

Boxon is measured by adding value beyond the box and it is you, as our customer that decides if we are successful. Boxon listens to the market and its needs and demands. We invest in people and tools that we believe will bring value to you as our customer. Some of these services we have invested and developed, are:

- Construction & Design
- Warehousing
- Packing instructions
- Global Label system
- Software support
- EDI integration
- CO2 Compensation
- Recycling solutions
- Stretch film test
- Machine service
- Installation & Configuration
- System & machine education

Our Packaging Concept

Boxon offers added values that go far beyond the box. We have a broad and deep standard range of products and machines, but offer also customized solutions within

- packaging solutions, including bulk handling,
- labelling and traceability,
- automation and integration
- services

and all together it makes the packaging flow more efficient. We are independent in our choice of product and material.

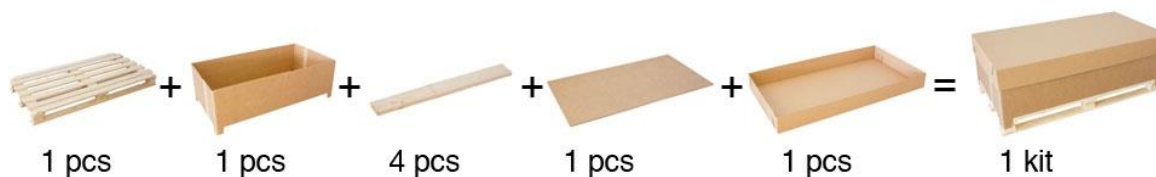
One-way Footprint V8X

– Export O.D. 1140x790mm and 1140 x 980mm

One-way footprint V81-V84 (I.D. 1112x762mm) and V88-V89(I.D. 1112 x 952mm) is used for Export oversea and supports heavy pack weights with trucks and maritime. It is adapted for Containers and normal warehouse handling.

The assortment is adapted to cover 1-5 collar height and the recommended maximum weight is 300 kilos.

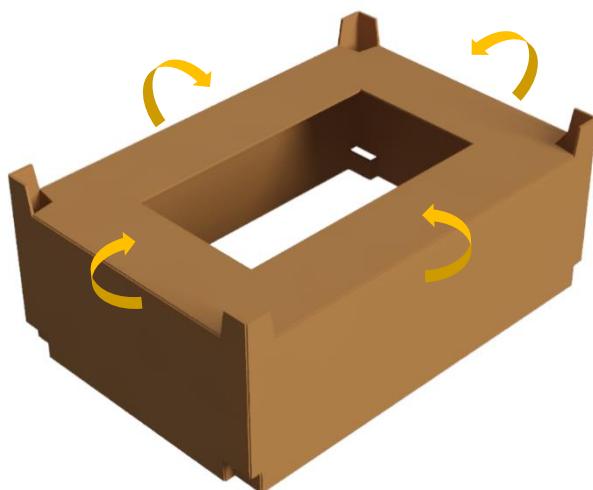
❖ Overview



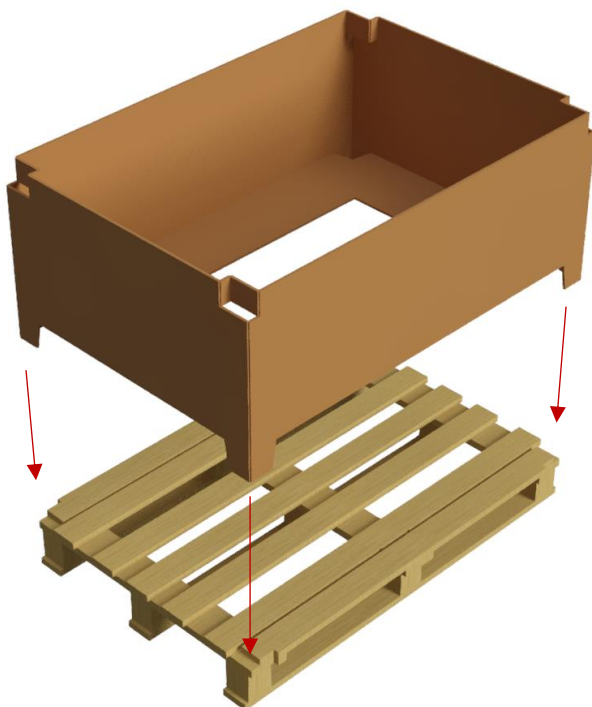
Article	Description	Size
V8X container	Export Container V8X	V81: 1140x790x190mm (#110456) V82: 1140x790x390mm (#110457) V83: 1140x790x585mm (#110458) V84: 1140x790x780mm (#110459) V85: 1140x790x975mm (#125574) V88: 1140x980x585mm (#112697) V89: 1140x980x780mm (#112699)
V8X lid	Export Container Lid V8X	V81: 1128x782x50mm (#110462) V82-V85: 1128x782x150mm (#110460) V88-V89: 1126x966x150mm (#112700)
V8X sheet	Export Container lid sheet V8X	V81-V85: 1128x782mm (#110461) V88-V89: 1126x966mm (#112701)
Corner support	Corner support	V81: N/A V82: 416x19x48mm (#110509) V83: 611x19x48mm (#110510) V84: 806x19x48mm (#110512) V85: 1001x19x48mm(#110513) V88: 611x19x48mm (#110510) V89: 806x19x48mm (#110512)
PALLET V8X	Pallet Export V8X	V81-V85: 1140x790x145mm (#110498) V88-V89: 1140x980x145mm (#112702)

How to Assemble

- **Packing step 1**
Turn the box upside down and fold the flaps inwards.

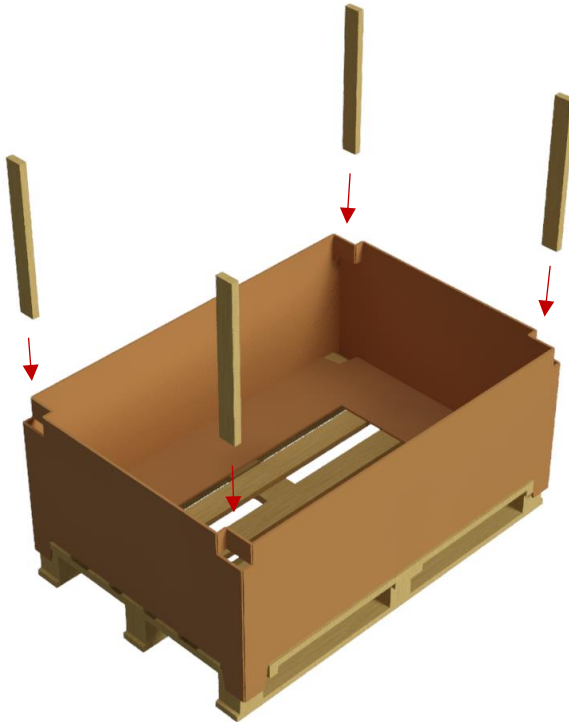


- **Packing step 2**
Place the container on the pallet.



- **Packing step 3**

Add the four wooden corner supports into the box. (Note: Ignore this step for V81.)



- **Packing step 4**

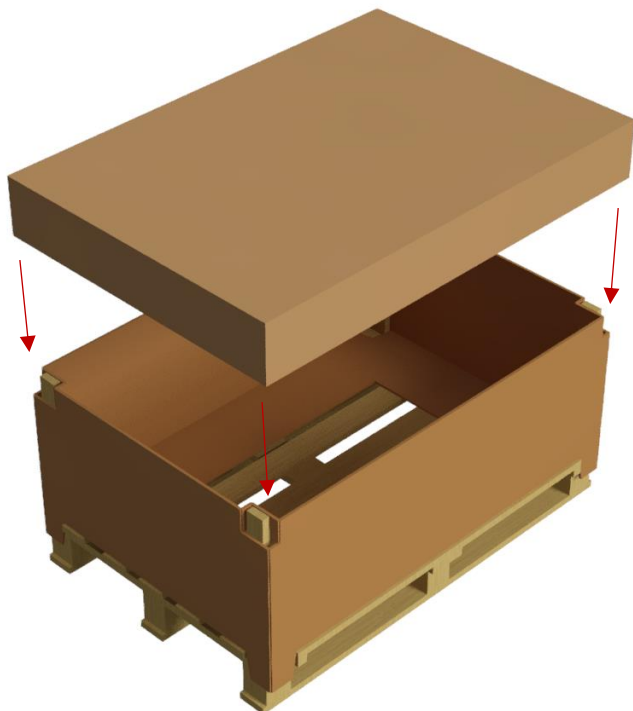
Place one piece of lid sheet into the lid.



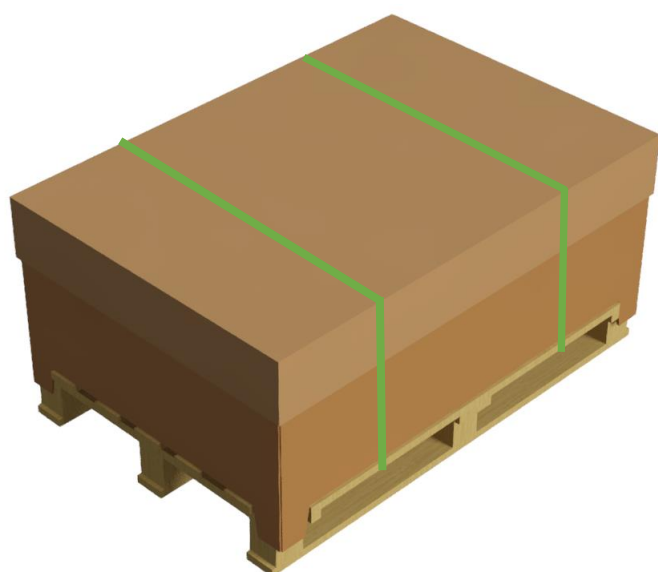
Note:

- Add an extra sheet into ordinary lid, if needed.
- Recommended for handling by truck.

- **Packing step 5**
Place the lid on the container.



- **Packing step 6**
Strap it twice on the long side. Complete!





 Adding value beyond the box

”To develop the world’s most intelligent, sustainable and value creating packaging concepts”



Steven Jiang
Packaging Engineer
Steven.Jiang@boxon.com

Boxon AB

Grustagsgatan 3, 254 64 Helsingborg
Tel: +46 42 - 25 07 00, Mail: info@boxon.com
www.boxon.com

