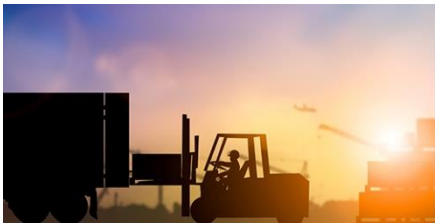


Version: 3.0
Date: 2019-10-15
Created by: Steven Jiang



Packing Instruction

Volvo One-way Footprint V4X - Export 1580x1140mm



Adding value beyond the box

BOXON

www.boxon.com



Boxon Group

Boxon is the only business partner offering intelligent packaging concepts with full traceability fully integrated with the business needs. We analyse the outside world, inspire new ideas and quickly design innovative solutions that continuously secure the packaging flow, from order to delivery. Our focus is primary companies within the industry-, trade- and logistic segments seeking a long-term partner.

With intelligent packaging concepts for your products, we help to increase the value of your brand, decrease environmental impact and help you to strengthen your customer relations. Deliveries becomes traceable with intelligent system solutions for labels and marking. To improve your productivity, efficiency and profitability, we offer automatized solutions that can be integrated directly into your business process.

Our Services

Boxon is measured by adding value beyond the box and it is you, as our customer that decides if we are successful. Boxon listens to the market and its needs and demands. We invest in people and tools that we believe will bring value to you as our customer. Some of these services we have invested and developed, are:

- Construction & Design
- Warehousing
- Packing instructions
- Global Label system
- Software support
- EDI integration
- CO2 Compensation
- Recycling solutions
- Stretch film test
- Machine service
- Installation & Configuration
- System & machine education

Our Packaging Concept

Boxon offers added values that go far beyond the box. We have a broad and deep standard range of products and machines, but offer also customized solutions within

- packaging solutions, including bulk handling,
- labelling and traceability,
- automation and integration
- services

and all together it makes the packaging flow more efficient. We are independent in our choice of product and material.

One-way Footprint V4X
– Export O.D. 1580x1140mm

One-way footprint V4X (I.D. 1568x1127mm) is used for Export oversea and supports heavy pack weights with trucks and maritime. It is adapted for Containers and normal warehouse handling.

The assortment is adapted to cover 1-5 collar height and the recommended maximum weight is 300 kilos.

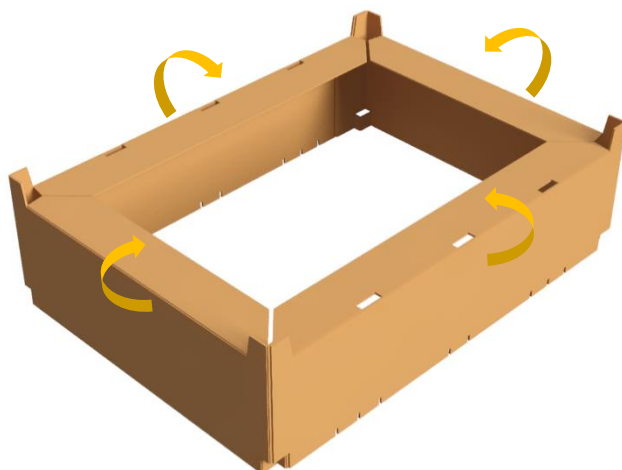
❖ **Overview**



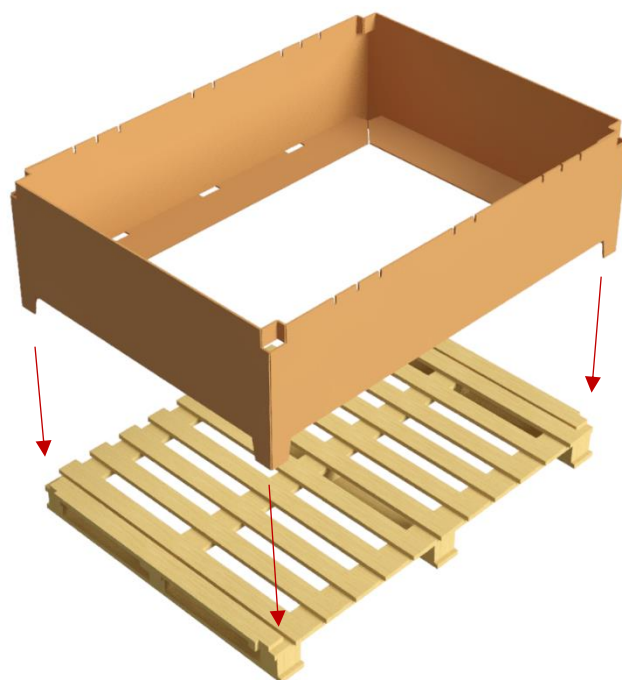
Article	Description	Size
V4X container	Export Container V4X	V45: 1580x1140x390mm (#110472) V46: 1580x1140x585mm (#110473) V47: 1580x1140x780mm (#110474)
V4X lid	Export Container Lid V4X	1580x1140x154 mm (#110475)
V4X sheet	Export Container lid sheet V4X	1580x1140mm (#110476)
Corner support	Corner support	V45: 416x19x48mm (#110509) V46: 611x19x48mm (#110510) V47: 806x19x48mm (#110512)
Side support	Side support	V45: 394x19x75mm (#110514) V46: 589x19x75mm (#110515) V47: 784x19x75mm (#110516)
PALLET V4X	Pallet Export V4X	1580x1140x135mm (#110504)
Rubber band for side support	Rubber band for side support 20pcs/package	90x3.0mm (#132737)

How to Assemble

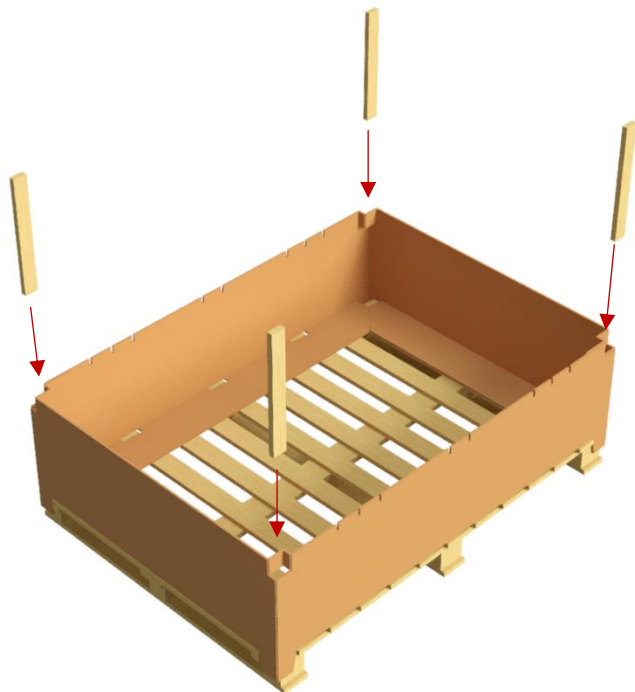
- **Packing step 1**
Turn the box upside down and fold the flaps inwards.



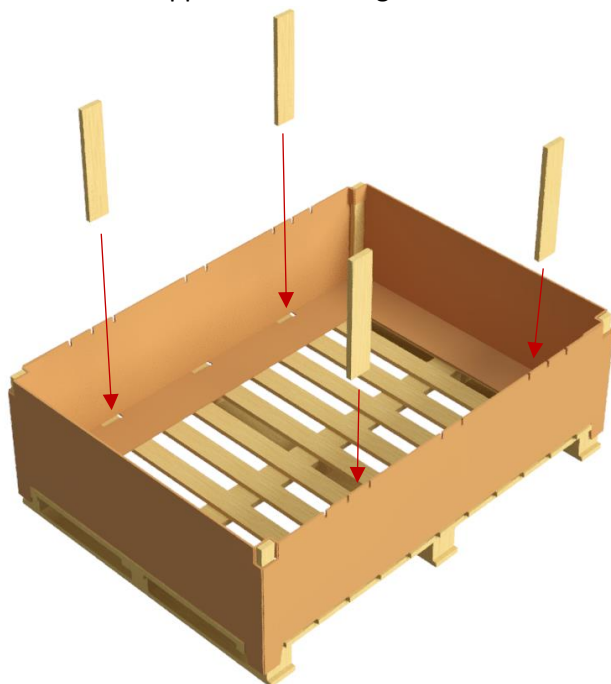
- **Packing step 2**
Place the container on the pallet.



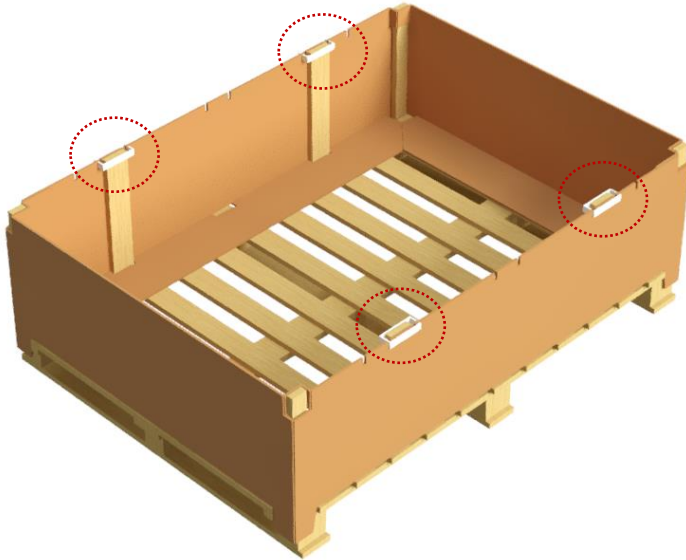
- **Packing step 3**
Add the four wooden corner supports into the box.



- **Packing step 4**
Place the side supports beside long side of container.



- **Packing step 5**
Place four pieces of rubber bands for side support.



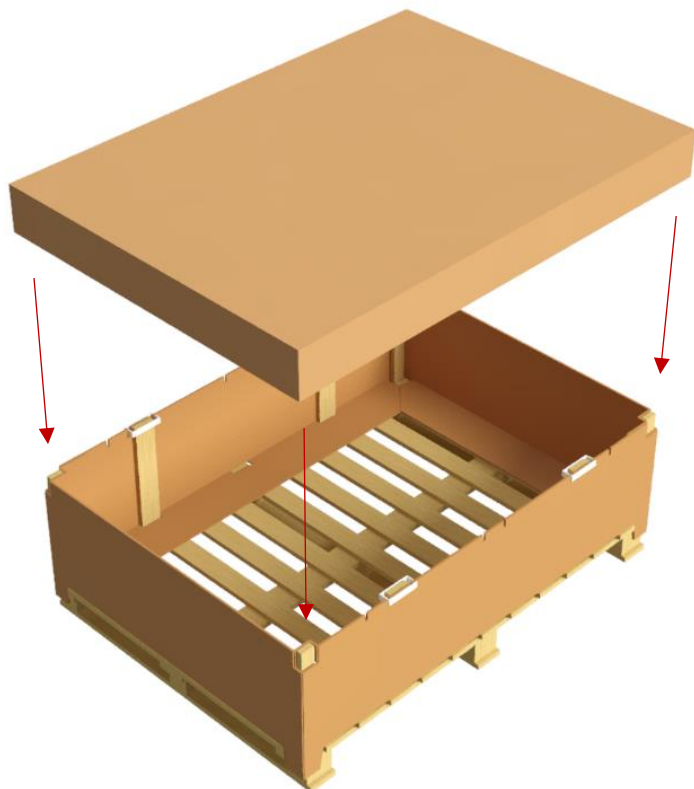
- **Packing step 6**
Place one piece of lid sheet into the lid.



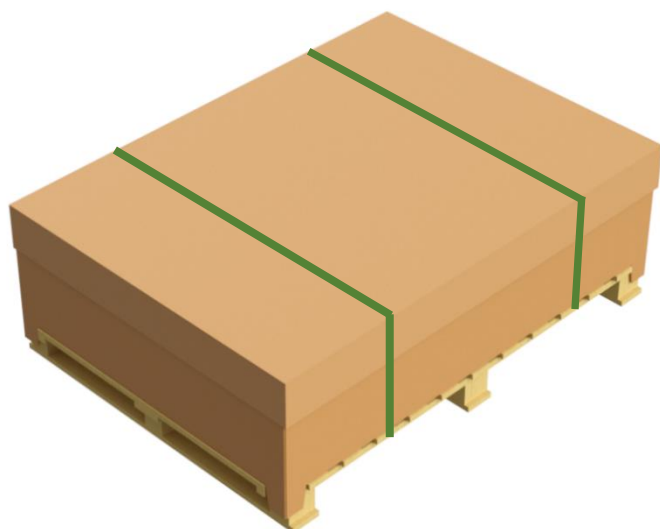
Note:

- Add an extra sheet into ordinary lid, if needed.
- Recommended for handling by truck.

- **Packing step 7**
Place the lid on the container.



- **Packing step 8**
Strap it twice on the long side. Complete!



Global Boxon Team

One team - One mission.
Knowledge sharing between geographical areas.
High efficiency in packaging development.

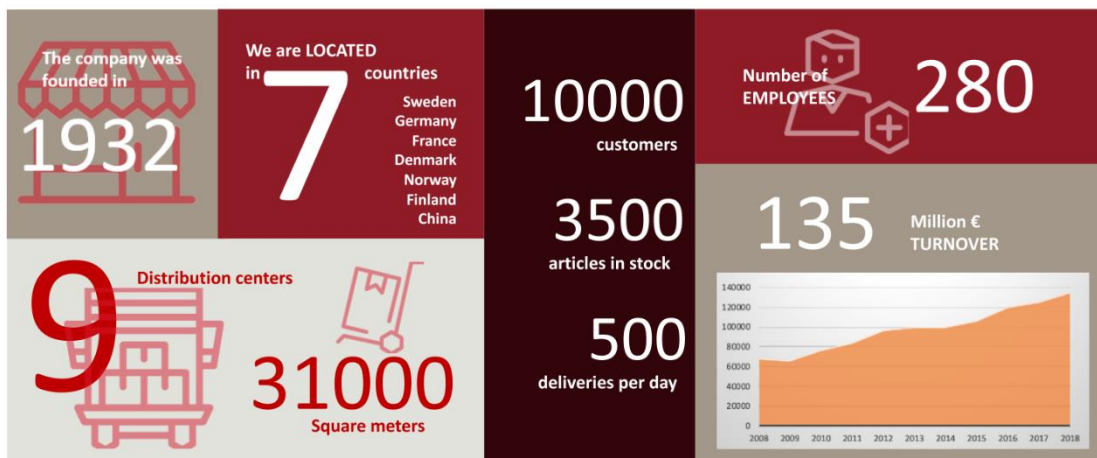
- We strongly believe we can add value to your packaging process.
- We are well suited to meet your needs and demands.
- We will use our full range of products, services and solutions to become the innovative partner for you, i.e. future proof.
- We need to build our relationship = We need to understand your business issues better.

Boxon Group

Today we are present in Nordics, EMEA/Continental Europe and Asia with our sales organization and customer offers. We supply our customers from 9 main distribution centers.

Nordics	Helsingborg, Borås, Mölndal, Bromma and Malmö, Sweden Drammen, Norway Farum, Denmark Helsinki, Finland
EMEA	Krefeld and Bremen, Germany Bordeaux, France
Asia	Shanghai and Chengdu, China

In 2018, 280 employees generated a turnover of 135 million €. We serve approx. 10 000 customers, have 3 500 articles in stock with 500 deliveries per day.





Adding value beyond the box

"To develop the world's most intelligent, sustainable and value creating packaging concepts"



Steven Jiang
Packaging Engineer
Steven.Jiang@boxon.com

Boxon AB

Grustagsgatan 3, 254 64 Helsingborg
Tel: +46 42 - 25 07 00, Mail: info@boxon.com
www.boxon.com

